



Amantii
ELECTRIC FIREPLACES

Superior construction • State of the art flame • Easy to install

SIERRA  FLAME

Why The Canned Heat Group of Companies

We strive to exceed our customer's expectations by offering a diverse range of fireplaces that cater to unique needs and preferences. Our team provides excellent customer service and support, ensuring that every customer has a positive experience from start to finish.

As a socially responsible company, we prioritize sustainable practices and continuously seek to minimize our environmental impact. We are committed to investing in research and development, seeking new and innovative ways to improve our products and services.

At The Canned Heat Group of Companies, we are passionate about creating warmth that bring people together through the product we create. Our commitment to excellence and customer satisfaction will continue to drive our success as a leader in the hearth industry.

Amantii from The Canned Heat Group of Companies has been an electric fireplace manufacturer for over a decade. The models and styles you see are a culmination of nearly four decades of experience in the fireplace and heating industry.

Amantii has a proven track record in North America and Europe and continues to source cutting edge products from Europe, Asia, Australia, New Zealand and North America. Amantii is considered by many to be one of the best in electric fireplace designs.

Our clean, contemporary, innovative electric fireplaces by Amantii are perfect for homes, offices, restaurants, spas, and other commercial settings. With their clean, contemporary design and innovative features, they are a first choice for many designers, architects, builders and homeowners.

Our fireplaces come in almost every size and shape imaginable. From wall mount/flush mount to zero clearance and inserts, there's an Amantii for almost everyone. State of the art technology, variety in media and styles make Amantii an easy choice for dealers and end consumers. All Amantii products come with an optional service program.

The design of Amantii fireplaces ensure they complement the diverse and vibrant living and working spaces in today's world. Every year, the Amantii design team strives to capture the latest in technology and styles to deliver a world-class electric fireplace.



TRU VIEW SERIES - TRV BESPOKE

- 5 Year Warranty
- Available in sizes – 45”, 55”, 65”, 75” and 85”
- Biggest and the Best – 20” Viewing area
- Double the heat output from 5000 to 10.000 BTU’s when two units are joined together on 120V
- TRV 45 Bespoke comes with 1 heater fan, Max 5000 BTU on 120V
- The TRV 55, 65, 75, and 85 come with 2 heater fans. Max 5000 BTU on 120V and 10,000 BTU on 240V
- Wi-Fi compatible to connect and control the fireplace from your smartphone with the use of our app. Available on the Google play store and the Apple App Store
- Bluetooth Connectivity – Featuring a fireplace with high quality audio from Bluetooth speakers. Simply pair your phone with the fireplace and press play on your smart phone





TRV-SLIM

- Very Thin – only 4” in depth semi flush recess
- Available in sizes – 30”, 40”, 50”, 60” and 72”
- Each unit comes with a 10 birch logs , charcoal grey fire glass, vermiculite, black fire glass and a remote
- Thermostat hardwire ready. Electrical hard wire ready
- Multi color state of the art flame that is easily changed from blue to purple, orange and violet with just a click of the remote
- 2 Stage Heater. Flame operates with or without heat
- Approved for Indoor and Outdoor Applications







TRV XL EXTRA TALL

- Glass viewing area is 22" in height
- Available in sizes – 40", 50", 60", 72" and 88"
- Each unit includes your choice of design media kit - 15 pce drift, 15 pce birch, 14 pce rustic or Ice Media
- Thermostat hardwire ready. Electrical hard wire ready
- Multi color state of the art flame that is easily changed from yellow to red and orange with just a click of the remote
- 2 Stage Heater. Flame operates with or without heat
- The 50", 60", 72" and 88" have dual heaters which operate together when wired to 220V to double the heat output.
- Approved for Indoor and Outdoor Applications

40-TRV-XT-XL



50-TRV-XT-XL



60-TRV-XT-XL



72-TRV-XT-XL

*Height, Width, Depth: 33 x 75 1/4 x 13 3/4
Glass Viewing Area: 22 x 71 5/8
Surround Size: No surround
**Shipping Size: 35 1/4 x 79 1/2 x 15 5/8
Shipping Weight: 201 lbs. Glass Included



88-TRV-XT-XL

*Height, Width, Depth: 33 x 91 1/4 x 13 3/4
Glass Viewing Area: 22 x 87 5/8
Surround Size: No surround
**Shipping Size: 35 1/4 x 95 1/2 x 15 5/8
Shipping Weight: 231 lbs. Glass Included



TRV XL DEEP

- Boasting a depth of 14 1/4"
- Available in sizes – 40", 50", 60" and 72"
- Each unit includes your choice of design media kit - 15 pce drift, 15 pce birch, 14 pce rustic or Ice Media
- Thermostat hardwire ready. Electrical hard wire ready
- Multi color state of the art flame that is easily changed from blue to purple, orange and violet with just a click of the remote
- 2 Stage Heater. Flame operates with or without heat
- The 50", 60" and 72" have dual heaters which operate together when wired to 220V to double the heat output.
- Approved for Indoor and Outdoor Applications



60" TRV XL DEEP

- WITH 18 PIECE OAK MEDIA

DESIGN-MEDIA-OAK-18PCE
OPTIONAL



NEW

DESIGN-MEDIA-RUSTIC-14PCE



DESIGN-MEDIA-BIRCH-15PCE



DESIGN-MEDIA-SPLIT-LOG-16PCE

NEW



DESIGN-MEDIA-DRIFT-15PCE

NEW! Now includes an additional 4 mini logs (Not Shown)





**SYMMETRY SERIES OF
FIREPLACES**



SYMMETRY BESPOKE





INCLUDED ACCESSORIES



AND CHOICE OF ONE MEDIA KIT:

DESIGN-MEDIA-BIRCH-10PCE



ICE MEDIA



EMBER Clear, Suntea, Harvest Moon





SYMMETRY BESPOKE XT

- 5 Year Warranty
- Fire & Sound – Two (2) quality audio speakers deliver a fire crackling sound. The audio is an ON/OFF feature that can be controlled through the Wi-Fi app.
- Bluetooth Connectivity – Featuring a fireplace with high quality audio from Bluetooth speakers. Simply pair your phone with the fireplace and press play on your smartphone.
- Smart Temperature Control - Programmable timer & thermostat allows you to decide the temperature of the room. Set the fireplace to turn on before you arrive home or have it automatically turn on when the weather is cold.
- 1500W 5120 BTU, heats up to 400 Sq. Ft. May also be wired to 220 volts to increase the BTU output to 10,240, heats up to 900 Sq. Ft.
- Approved for Outdoor Installations
- Adjustable flame brightness and speed that can be turned on separately. Adjustable ember bed colors that allow for the possibility of auto mixing thousands of colors
- Most quiet and reliable components in the industry, 50000 hours lifetime LED light source



SYMMETRY - XT

- Glass Viewing area is 18". Our largest glass viewing area yet.
- Available in sizes – 34", 42", 50", 60" and 74", 88" and 100"
- The Symmetry Extra Tall comes with your choice of one Designer Media Kit - Birch, Driftwood or Rustic.
- The Sym 74 XT, Sym 88 XT and Sym 100 XT comes with dual heaters built in, for double the heat output.
- Two flame patterns – standard diffused or more traditional – you choose!
- The Sym 74 XT, Sym 88 XT and Sym 100 XT all have the option of being hooked up to 240 Volt, which increases the heat: 240V, 10A, 2400W and 8191 BTU
- Touch Pad – For convenient control of features with temperature display
- Approved for Indoor and Outdoor Applications




SYMMETRY XTRASLIM

- Available in sizes – 42”, 50” and 60”
- 4” in depth. Modern and sleek in design, this unit can be mounted or recessed into any 2” x 4” wall
- Wi-Fi controls come standard. Remote app – total control of your fireplace from the convenience of your mobile device or operate this fireplace from the comfort of your favorite spot with the included, full feature remote control
- Ideal Applications – Commercial and Residential spaces, New Construction and renovations
- Approved for Indoor and Outdoor Applications



TRADITIONAL (TRD) SERIES



A photograph of a modern living room with a warm, traditional aesthetic. The room features a white stone fireplace with a wooden mantel and a fire burning inside. To the left, there is a long wooden shelving unit with various decorative items. In the center, a wooden coffee table sits on a light-colored rug. To the right, a grey sofa is adorned with a white blanket and several pillows. A large window in the background shows a snowy outdoor scene. The overall lighting is soft and warm.

TRADITIONAL (TRD) SERIES OF PRODUCTS

- Traditional
- Traditional Insert
- Traditional Bespoke
- Traditional Xtraslim

TRADITIONAL SERIES

- Approved for Indoor or Outdoor Applications
- Series Models: 26", 30", 33", 38", 44" and 48"
- Hidden venting allows for a true clean face appearance
- 2 Flame Sets. Ambient canopy lighting in 13 colors. Illuminates media like never before.
- Heater is located in the inner top of the unit, thus allowing the heat to cascade down over the top of the glass
- 2 Stage Heater. Flame operates with or without heat





TRADITIONAL INSERT SERIES

- Designed as a perfect alternative for wood or gas inserts. Stylish and practical, quick and easy to install
- Available in sizes – 26”, 30”, 33” and 38”
- Rated for Indoor or Outdoor applications
- 2 Flame Sets. Ambient canopy lighting in 13 colors. Illuminates media like never before
- Heater located in the inner top of the unit, thus allowing the heat to cascade down over the top of the glass
- 2 Stage Heater. Flame operates with or without heat



SURROUNDS – MEASUREMENTS

- TRD 26-3 - 22 1/8" x 36" x 3/4"
- TRD 26-4 - 27 1/8" x 36" x 3/4"
- TRD 30-3 - 24" x 38" x 3/4"
- TRD 30-4 - 28 1/2" x 38" x 3/4"
- TRD 33-3 - 29" x 42" x 3/4"
- TRD 33-4 - 35 3/8" x 42" x 3/4"
- TRD 38-3 - 34 3/8" x 45 3/4" x 3/4"
- TRD 38-4 - 41 1/8" x 45 3/4" x 3/4"

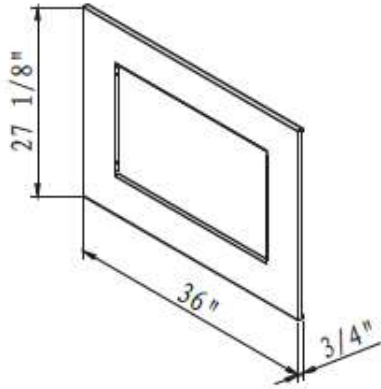
Made of 22 gauge metal.

Available for the 26", 30", 33" and 38"

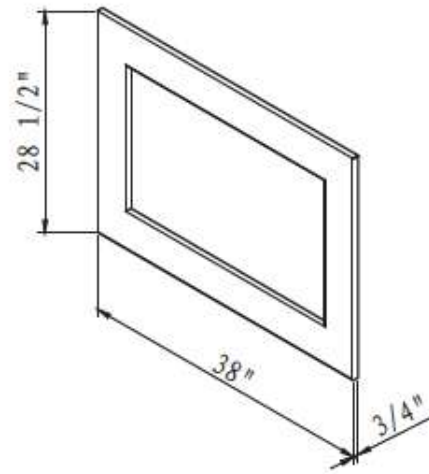


TECH SPECIFICATIONS

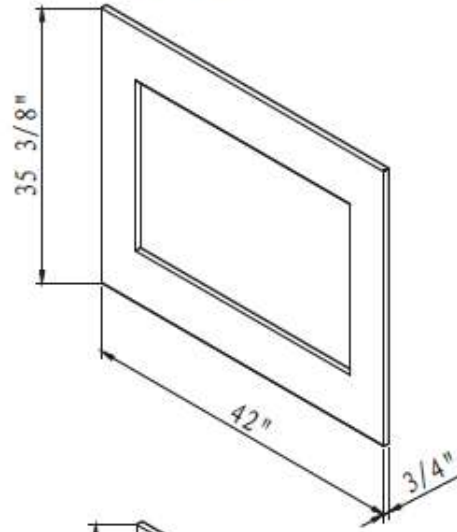
TRD-26 Smart



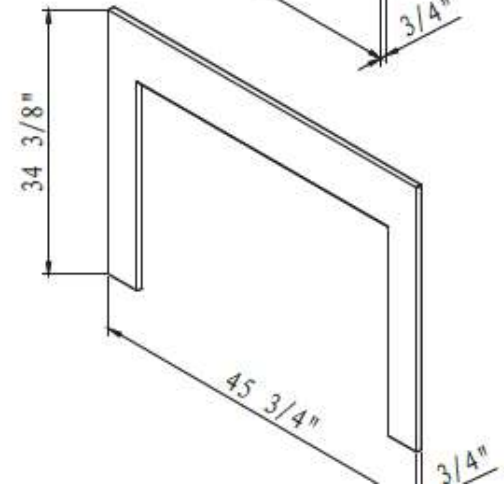
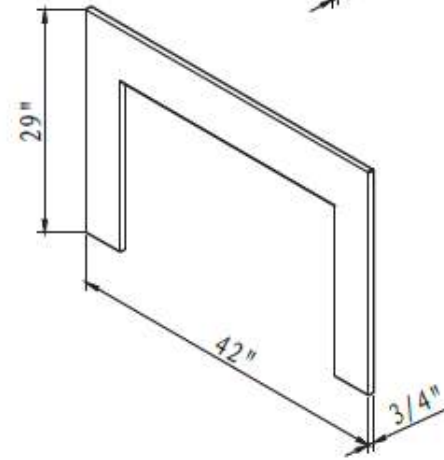
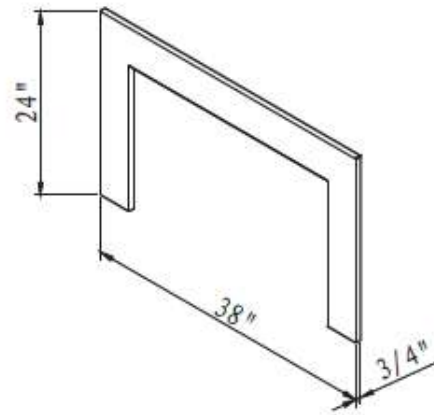
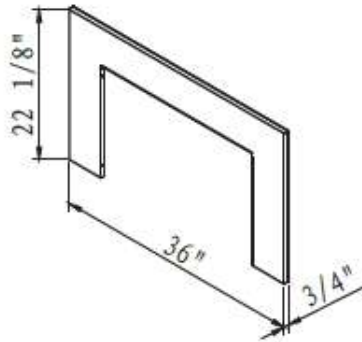
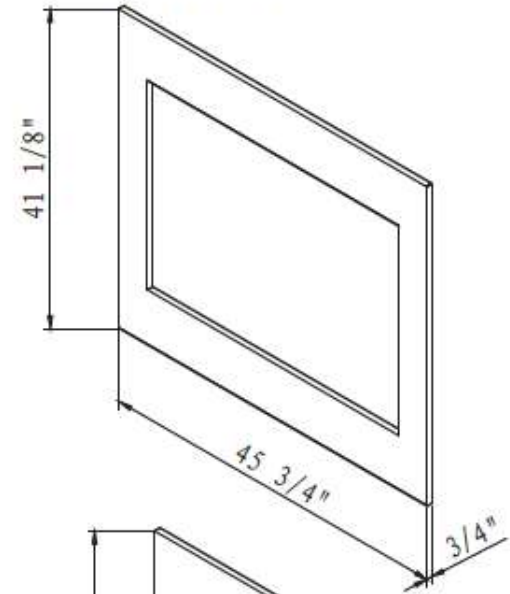
TRD-30 Smart



TRD-33 Smart



TRD-38 Smart









TRADITIONAL BESPOKE

- 5 Year Warranty
- Available in sizes – 33”, 38” and 44”.
- WiFi Compatible. Control your from your phone
- 6 Flame Intensity Levels, 6 Flame Brightness Levels, 3 Ember Bed Options
- 3 Speed Flame Motor
- Full Feature Remote Included – controls flame speed, color brightness, heat output and timer
- 2 Stage Heater. Flame operates with or without heat.
- Smart Remote Temperature Control – 59°F - 82°F
- Included Media – Dealers Choice of a Design Media Kit





TRADITIONAL XTRASLIM

- Clean and Seamless in Design: this fireplace features a full frame viewing area
- Available in sizes – 26”, 30”, 33” . 5118 BTU
- Smart Heater Control – Auto mode feature allows for the unit to operate under your ideal temperature setting
- Remote App – total control of your fireplace from the convenience of your mobile device. WiFi controls come standard
- 11 multi colors of up lighting that accent from the tray.
- Flame options include yellow, orange, and red. 5 settings in each color, so you can cycle thru
- Perfect for any commercial or residential space
- Included Media – Clear glass diamonds, black powder coated surround and a full feature remote control



4"
Depth

The TRD Xtraslim can be fully recessed within a 2" x 4" wall. 3-or 4-sided surround required



A black cast iron wood stove with a fire burning inside. The stove has a decorative arched opening and a diamond-patterned panel on the left side. The fire is bright yellow and orange, with logs visible. The stove is set against a white background.

LYNWOOD CAST IRON

W76 NON-CATALYTIC WOOD STOVE



ICONIC EUROPEAN DESIGN

Lynwood W76 Wood Fireplace



W76

- European designed
- High quality European crafted cast iron construction



FEATURES

- Non-catalytic
- Cast iron construction
- Vermiculite firebox insulation
- 2020 EPA compliant
- 1.81 gr/hr
- 6" top flue
- 1.55 cubic ft firebox
- 13,784 to 57,674 BTU/hr
- Heats up to 2,000 sq ft
- 21" log

W76 CLEARANCES

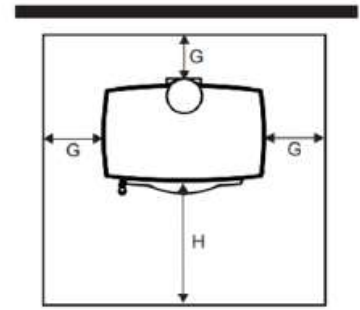
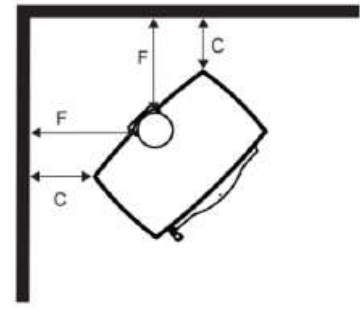
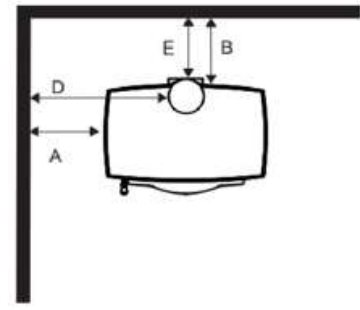
MINIMUM CLEARANCES TO COMBUSTIBLE MATERIAL				
	SINGLE WALL CONNECTOR	DOUBLE WALL VENTED	USING OPTIONAL HEAT SHIELD	
			SINGLE WALL	DOUBLE WALL VENT.
A. SIDEWALL TO UNIT	16" / 406 mm	16" / 406 mm	16" / 406 mm	16" / 406 mm
B. BACKWALL TO UNIT	18" / 457 mm	10" / 254 mm	11" / 279 mm	5" / 127 mm
C. CORNER TO UNIT	16" / 406 mm	8" / 203 mm	16" / 406 mm	6" / 152 mm
D. SIDEWALL TO CONNECTOR	27.5" / 699 mm	27.5" / 699 mm	27.5" / 699 mm	27.5" / 699 mm
E. BACKWALL TO CONNECTOR	19.5" / 495 mm	11.5" / 292 mm	14" / 356 mm	8" / 203 mm
F. CORNER TO CONNECTOR	18" / 457 mm	10" / 254 mm	18" / 457 mm	8" / 203 mm
G. FLOOR PROTECTOR	8" / 203 mm	8" / 203 mm	8" / 203 mm	8" / 203 mm
H. FLOOR PROTECTOR	24"(US) / 24"(CAN)	24"(US) / 24"(CAN)	24"(US) / 24"(CAN)	24"(US) / 24"(CAN)

FOR REDUCED CLEARANCES USE THE OPTIONAL BACK HEAT SHIELD AND DOUBLE WALL VENTILATED PIPE

FOR OTHER CONFIGURATION PLEASE REFER TO OWNERS MANUAL

**REFER TO INTERTEK'S DIRECTORY OF BUILDING PRODUCTS FOR DETAILED INFORMATION
COMBUSTIBLE FLOORS MUST BE PROTECTED BY A CONTINUOUS, DURABLE,
NON-COMBUSTIBLE PAD, THICK METAL SHEET OR A GROUTED CERAMIC FLOOR TILE WITH A
R-VALUE OF 1.0 IS REQUIRED.**

DO NOT OBSTRUCT THE SPACE BENEATH THE HEATER.



FEDERAL TAX CREDIT QUALIFICATION CERTIFICATION OF EFFICIENCY

The following Sierra Flame model of Biomass- burning appliances are "Qualified Energy Property" (Wood or Pellet Stoves or Insert) covered under the Wood and Pellet Heater Investment Tax Credit (ITC), and there-fore meet the federal >75% HHV Efficiency tax credit requirements per section 25 (D).

The data for this certification came from testing to CSA B415.1 method. Testing was performed on a representative sample by a third party EPA accredited laboratory. Consult with your tax advisor to claim the federal tax credit.

CERTIFICATION STATEMENT

Under penalties of perjury, we declare that we have examined this certification statement, and to the best of our knowledge and belief, the facts are true and complete.

MODELNAME

W76.....Sierra Flame Lynwood W76



US Environmental Protection Agency
phase II certified wood stove compliant
with 2020 cord wood standard

This solid fuel heater has been tested and
listed according to ULC S627-00 (2016)
and UL 1482-2011 standards by an
accredited laboratory.

Certified Safety Tests performed by:



03-28312-100 10/2020

LYNWOOD
E50 & E70
ELECTRIC
STOVES



E50 & E70 FEATURES

Real Cast Iron Construction. Available in two sizes - 50" & 70"
Two Flame Sets and Canopy Lighting in 13 Colour Themes
Produces up to 4800 BTU of Heat
On Demand Heat with
Lower Heat Vent, Allows the Heat to Flow Directly to Floor Level
Rate for Indoor Applications Only
Flame Effect can be used With or Without Heat
Includes a Multi Function Remote
Fan Noise 43 dB
Includes a 10 Piece Birch Log Set

E50 & E70 TECHNICAL SPECIFICATIONS

Tech Specs

		E50	E70
Volts		120	120
Amps		12.5	12.5
Watts		1500	1500
Heater	HIGH	1500 Watts	1500 Watts
	LOW	75 Watts	75 Watts
No Heater		19 Watts	19 Watts
Lamps	TYPE	LED	LED
	WATTS		
	TOTAL WATTS	19 Watts	19 Watts
Rotor Motor		1 at 5 watts	1 at 5 watts
Height, Width, Depth		28 1/4" x 23 1/8" x 17 1/2"	28 1/4" x 27 7/8" x 17 1/2"
Glass Viewing Opening			
Glass Size		13 1/8" x 16 3/8"	13 1/8" X 21 1/4"
Shipping Size			
Shipping Weight			
Approx. Heating Area		400 sq ft	400 sq ft

Media Included

Provided media include: 10 piece realistic birch like logs, 2 colors of fireglass, two bags of vermiculite in black and white colors. **Additional media is available for purchase for this series*

